



Solutions  
that **make**  
the difference  
since 1958

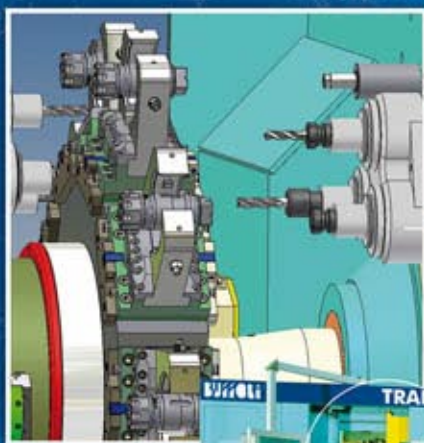
From 5 to 10 October Buffoli Transfer SpA will be present at the international machine tool exhibition **EMO** (New Exhibition Center Milan-Rho, **Hall 5 Booth B12**) with the wide range of "Solutions that make the difference" in a difficult and competitive market, where the key words are competitiveness, flexibility and precision.

Located in Hall 5 Booth B12, Buffoli will be presenting two flexible machines with quick retooling times, advanced robotized loading systems equipped with vision and also a very compact and competitive testing machine.

## OMNI-FLEX TRI-CENTER CNC flex

CNC Multi-Center with 4 or 5 axes  
in the version with 4 stations;  
3 spindles; 72 tools; X-Y=350mm;  
Z= 300mm

Flexibility combined with productivity.  
Suitable for the machining of small batches  
with minimum tooling costs.



## TRANS-BAR TRB55+ CNC flex

CNC Multi-spindle from non-rotating  
bars up to 55 mm diameter (brass,  
bronze, aluminium alloys, steel, stain-  
less steel)

12 station version with 9+6 horizontal  
spindles on right and left side + 2 machining  
centers + 1 optional for transversal machining  
operations.